



CERTBULL
FREEDOM TO RISE AND INSPIRE

HP HPE7-A01

ARUBA CERTIFIED PROFESSIONAL - CAMPUS ACCESS

Note:

Please be aware that these free files might not be up to date. Before your exam, ensure you review our Ultra Premium File Section for the latest materials.

www.certbull.com

Warning: Keep connected with our support team for latest updates once you are ready

QUESTION: 1

With Aruba CX 6300, how do you configure ip address 10.10.10.1 for the interface in default state for interface 1 /1/1?

- A. int 1/1/1, no switching, ip address 10.10.10.1/24
- B. int 1/1/1, ip address 10.10.10.1/24
- C. int 1/1/1, routing, ip address 10.10.10.1/24
- D. int 1 /1 /1, switching, ip address 10.10.10.1 /24

QUESTION: 2

Your Director of Security asks you to assign AOS-CX switch management roles to new employees based on their specific job requirements. After the configuration was complete, it was noted that a user assigned with the operator's role did not have the appropriate level of access on the switch.

The user was not limited to a specific CLI context and a privilege level of 19 was not assigned to their role. Which default management role should have been assigned for the user?

- A. guests
- B. sysadmin
- C. config
- D. auditors

QUESTION: 3

Your customer currently has two (2) 5406 modular switches with MSTP configured as their core switches. You are proposing a new solution.

What would you explain regarding the Aruba CX VSX switch pair when the New VLAN IDs need to be created?

- A. New VLAN IDs are automatically synced in VSX.
- B. VSX uses separate control planes and VLAN IDs are always created on individual nodes.
- C. Use vsx-sync command while creating new VLAN IDs.
- D. Keepalive settings need vsx-sync configuration to sync new VLAN IDs.

QUESTION: 4

What is one advantage of using OCSP vs CRLs for certificate validation?

- A. reduces latency between the time a certificate is revoked and validation reflects this status
- B. supports longer certificate validity periods
- C. higher availability for certificate validation

D. less complex to implement

QUESTION: 5

A new network design is being considered to minimize client latency in a high-density environment. The design needs to do this by eliminating contention overhead by dedicating subcarriers to clients.

Which technology is the best match for this use case?

- A. MU-MIMO
- B. OFDMA
- C. WMM
- D. Channel Bonding

QUESTION: 6

Due to a shipping error, five (5) Aruba AP-515s and one (1) Aruba CX 6300 were sent directly to your new branch office. You have configured a new group persona for the new branch office devices in Central, but you do not know their MAC addresses or serial numbers. The office manager is instructed via text message on their smartphone to onboard all the new hardware into Aruba Central.

What application must the office manager use on their phone to complete this task?

- A. Aruba Central App
- B. Aruba CX Mobile App
- C. Aruba Installer App
- D. Aruba Onboard App

QUESTION: 7

Which feature supported by SNMPv3 provides an advantage over SNMPv2c?

- A. Encryption
- B. Transport mapping
- C. GetBulk
- D. Community strings

QUESTION: 8

A company deployed Dynamic Segmentation with their CX switches and Gateways. After performing a security audit on their network, they discovered that the tunnels built between the CX switch and the Aruba Gateway are not encrypted. The company is concerned that bad actors could try to insert spoofed messages on the Gateway to disrupt communications or obtain information about the network.

Which action must the administrator perform to address this situation?

- A. Enable Enhanced security

- B. Enable Secure Mode Enhanced
- C. Enable GRE security
- D. Enable Enhanced PAPI security**

QUESTION: 9

Your customer has asked you to assign a switch management role for a new user. The customer requires the user role to view nonsensitive switch configuration information and only has the GET method for REST API for all resources other than \login and \logout.

Which default AOS-CX user role meets these requirements?

- A. config
- B. sysadmin
- C. sysops
- D. operators**

QUESTION: 10

Refer to the exhibit.

Name (Profile)	Security	Access Type	Traffic forwarding mode	Network Enabled
secure_wireless	wpa3-aes-gcm-256	Role Based	Bridge	Yes
open_wireless	opensystem	Unrestricted	Bridge	Yes

A company has deployed 200 AP-635 access points. To take advantage of the 6 GHz band, the administrator has attempted to configure a new WPA3-OWE SSID in Central but is not working as expected.

What would be the correct action to fix the issue?

- A. Change the SSID to WPA3-Enterprise (CNSA).
- B. Change the SSID to WPA3-Personal.
- C. Change the SSID to WPA3-Enhanced Open.**
- D. Change the SSID to WPA3-Enterprise (CCM).

QUESTION: 11

Which statement is correct for the Aruba Network Analytics Engine (NAE) in a VSX environment?

- A. Each switch in the VSX pair maintains its own independent NAE agent and stores sensor values locally.
- B. NAE is VSX aware and the python-based agents on each member device store sensor values remotely.
- C. NAE is not VSX aware and the python-based agents on each member device store sensor values locally.
- D. NAE is VSX aware and the ruby-based agents on each member device store sensor values remotely.

QUESTION: 12

You are doing tests in your lab and with the following equipment specifications:

- AP1 has a radio that generates a 10 dBm signal.
- AP2 has a radio that generates a 11 dBm signal.
- AP1 has an antenna with a gain of 9 dBi.
- AP2 has an antenna with a gain of 12 dBi.
- The antenna cable for AP1 has a 2 dB loss.
- The antenna cable for AP2 has a 3 dB loss.

What would be the calculated Equivalent Isotropic Radiated Power (EIRP) for AP1?

- A. -8 dBm
- B. 17 dBm
- C. 30 dBm
- D. 10dBm

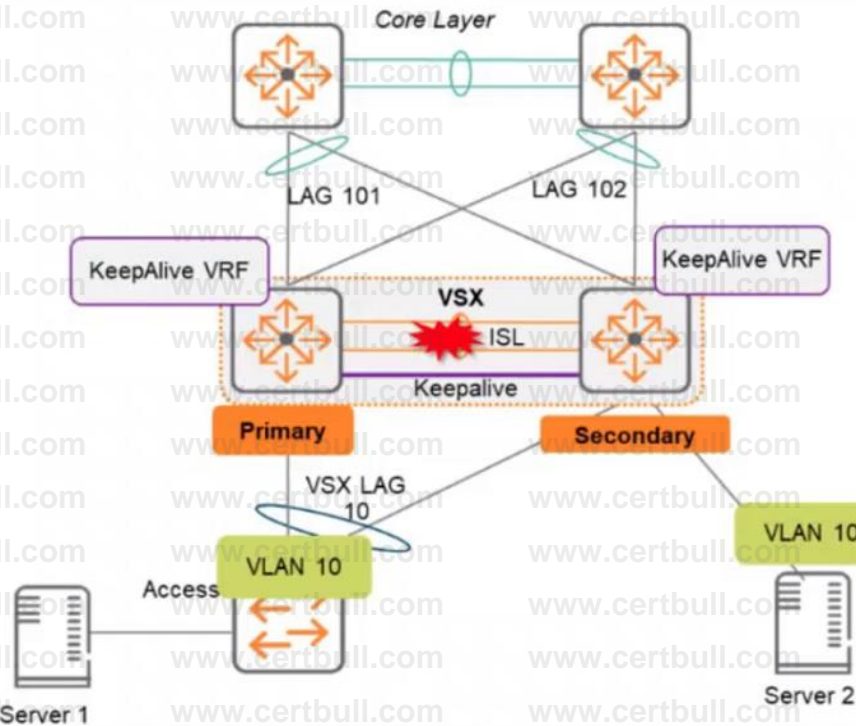
QUESTION: 13

With Aruba CX 6300. how do you configure ip address 10.10.10.1 for the interface in default state for interface SVI 100 access and port 1/1/1?

- A. int vlan 100. ip address 10.10 10.1/24. int 1/1/1, switching, vlan access 100
- B. int vlan 100. ip address 10.10.10.1/24, int 1/1/1, no routing, vlan access 100
- C. int vlan 100. ip address 10.10.10.1/24. int 1/1/1, trunking, vlan native 100
- D. int vlan 100. ip address 10.10 10.1/24. int 1/1/1 vlan access 100

QUESTION: 14

Two AOS-CX switches are configured with VSX at the Access-Aggregation layer, where servers attach to them. An SVI interface is configured for VLAN 10 and serves as the default gateway for VLAN 10. The ISL link between the switches fails, but the keepalive interface functions. Active gateway has been configured on the VSX switches.

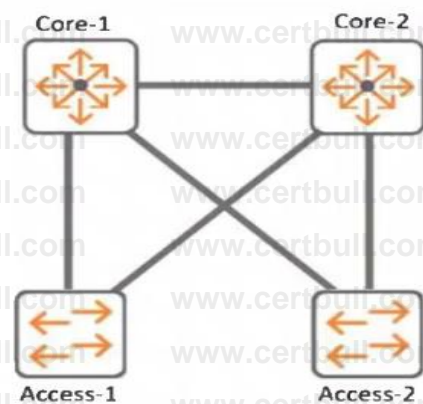


What is correct about access from the servers to the Core? (Select two.)

- A. Server 2 can access the core layer via the keepalive link.
- B. Server 1 can access the core layer via both uplinks.
- C. Server 1 can access the core layer on only one uplink.**
- D. Server 1 can access the core layer via the keepalive link.
- E. Server 2 cannot access the core layer.**
- F. Server 1 and Server 2 can communicate with each other via the core layer

QUESTION: 15

Refer to the exhibit.



With Access-2, what needs to be identically configured with MSTP to load-balance VLANs?

- A. Spanning-tree config-name
- B. Spanning-tree root
- C. Spanning-tree priority
- D. Spanning-tree secondary root

QUESTION: 16

On AOS10 Gateways, which device persona is only available when configuring a Gateway-only group?

- A. Mobility
- B. Branch
- C. Edge
- D. VPN Concentrator

QUESTION: 17

When setting up an Aruba CX VSX pair, which information does the Inter-Switch Link Protocol configuration use in the configuration created?

- A. dead interval is based on the value set for hello interval
- B. dead interval is disabled by default
- C. dead interval is 20s by default
- D. dead interval is 200ms by default

QUESTION: 18

When setting up an Aruba CX VSX pair, which information does the Inter-Switch Link Protocol synchronize in the configuration created?

- A. UDLD
- B. MSTP
- C. SVI
- D. RPVST+

QUESTION: 19

A company recently deployed new Aruba Access Points at different branch offices. Wireless 802.1X authentication will be against a RADIUS server in the cloud. The security team is concerned that the traffic between the AP and the RADIUS server will be exposed.

What is the appropriate solution for this scenario?

- A. Enable EAP-TLS on all wireless devices.
- B. Enable EAP-TTLS on all wireless devices.
- C. Configure RadSec on the AP and Aruba Central.
- D. Configure RadSec on the AP and the RADIUS server.

QUESTION: 20

With the Aruba CX switch configuration, what is the first-hop protocol feature that is used for VSX L3 gateway as per Aruba recommendation?

- A. Active-Active VRRP
- B. Active Gateway
- C. VRRP
- D. SVI with vsx-sync

QUESTION: 21

What is a primary benefit of BSS coloring?

- A. BSS color tags are applied to Wi-Fi channels and can reduce the threshold for interference.
- B. BSS color tags are applied on the wireless controllers and can reduce the threshold for interference.
- C. BSS color tags are applied to client devices and can reduce the threshold for interference.
- D. BSS color tags improve performance by allowing clients on the same channel to share airtime.

QUESTION: 22

With an Aruba CX switch, how would you use loopback 0 as a primary interface for the sFlow protocol?

- A. Define loopback 0 with source-interface.
- B. Set sflow collector server with interface loopback 0.
- C. Configure sflow server group ip source with loopback 0.
- D. Use loopback 0 with sflow-destination.

QUESTION: 23

Which Aruba AP mode is sending captured RF data to Aruba Central for waterfall plot?

- A. Spectrum Monitor
- B. Dual Mode
- C. Hybrid Mode
- D. Air Monitor

QUESTION: 24

Your manufacturing client is deploying twenty headless scanners in their warehouse. These new devices do not support 802.1 X authentication.

How does the gateway determine the device's role and VLAN derivation-rules when using MPSK Local?

- A. From the Type-Length-Value based on the Aruba-MPSK-Key-Name.
- B. From the device's Calling-Station-1D in the RADIUS Access-Request.
- C. From the ClearPass enforcement policy based on devices MAC OUI.
- D. It pulls the device roles from Aruba Central during deployment.

QUESTION: 25

What are the requirements to ensure that WMM is working effectively? (Select two.)

- A. The Aruba AOS10 APs installed have to be converted to controlled mode.
- B. All APs need to be from the AP-5xx series and AP-6xx series which are Wi-Fi CERTIFIED 6.
- C. The AP needs to be connected via a tagged VLAN to the wired port.
- D. The APs and the controller are Wi-Fi CERTIFIED for WMM, which is enabled.
- E. The Client must be Wi-Fi CERTIFIED for WMM and configured for WMM marking.

QUESTION: 26

You are troubleshooting an issue with a pair of Aruba CX 8360 switches configured with VSX. Each switch has multiple VRFs. You need to find the IP address of a particular client device with a known MAC address. You run the "show arp" command on the primary switch in the pair but do not find a matching entry for the client MAC address.

The client device is connected to an Aruba CX 6100 switch by VSX LAG.

Which action can be used to find the IP address successfully?

- A. Run the following command on the CX 6100 switch:
`show mac-address-table`
- B. Run the following command on the CX 6100 switch:
`show arp all-vrfs`
- C. Run the following command on the VSX primary switch:
`show arp all-vrfs`
- D. Run the following command on the VSX primary switch:
`show mac-address-table`

ANSWER: C

QUESTION: 27

You are deploying a bonded 40 MHz wide channel. What is the difference in the noise floor perceived by a client using this bonded channel as compared to an unbonded 20MHz wide channel?

- A. 6dB
- B. 8dB
- C. 9dB
- D. 3dB

QUESTION: 28

A system engineer needs to preconfigure several Aruba CX 6300 switches that will be sent to a remote office. An untrained local field technician will do the rollout of the switches and the mounting of several AP-515s and AP-575s. Cables running to the APs are not labeled.

The VLANs are already preconfigured to VLAN 100 (mgmt), VLAN 200 (clients), and VLAN 300 (guests).

What is the correct configuration to ensure that APs will work properly?

- A.
- ```
port-access lldp-group IAP-Group
 seq 10 match sys-desc 515
 seq 20 match sys-desc 575
port-access role IAP-Role
 description ARUBA AP
 poe-priority high
 trust-mode dscp
 vlan trunk native 100
 vlan trunk allowed 200,300
port-access device-profile IAP-Profile
 enable
 associate role IAP-Role
 associate lldp-group IAP-Group
```
- B.
- ```
port-access lldp-group IAP-Group
  seq 10 match sys-desc 515
  seq 20 match sys-desc 575
port-access role IAP-Role
  description ARUBA AP
  poe-priority high
  trust-mode dscp
  vlan trunk native 100
  vlan trunk allowed 100,200,300
port-access device-profile IAP-Profile
  enable
  associate role IAP-Role
  associate lldp-group IAP-Group
```

```

port-access lldp-group IAP-Group
  seq 10 match sys-desc AP-515
  seq 20 match sys-desc AP-575
port-access role IAP-Role
  description ARUBA AP
  poe-priority high
  trust-mode dscp vlan trunk native 100
  vlan trunk allowed 100,200,300
  enable
port-access device-profile IAP-Profile
  associate role IAP-Role
  associate lldp-group IAP-Group

```

C.

```

port-access lldp-group IAP-Group
  seq 10 match sys-desc 515
  seq 20 match sys-desc 575
port-access role IAP-Role
  description ARUBA AP
  poe-priority high
  trust-mode dscp
  vlan trunk native 100
  vlan trunk allowed 100,200,300
port-access device-profile IAP-Profile
  associate role IAP-Role
  associate lldp-group IAP-Group
  no shutdown

```

D.

ANSWER: B

QUESTION: 29

What is the best practice for handling voice traffic with dynamic segmentation on AOS-CX switches?

- A. Central authentication and port-based tunneling of the voice traffic.
- B. Switch authentication and user-based tunneling of the voice traffic.
- C. Switch authentication and local forwarding of the voice traffic.**
- D. Controller authentication and port-based tunneling of all traffic.

QUESTION: 30

You are configuring an SVI on an Aruba CX switch that needs to have the following characteristics:

- VLAN ID = 25
- IPv4 address 10.105.43.1 with mask 255.255.255.0
- IPv6 address fd00:5708:f02d:4df6 with a 64-bit prefix length
- member of VRF eng
- VRF eng and VLAN 25 have not yet been created

Which command lists will satisfy the requirements with the least number of commands?

- A. `vrf eng
vlan 25
interface vlan 25
ip address 10.105.43.1 255.255.255.0
ipv6 address fd00:5708::f02d:4df6/64
vrf attach eng`
- B. `vrf eng
vlan 25
interface vlan 25
vrf attach eng
ip address 10.105.43.1/24
ipv6 address fd00:5708::f02d:4df6/64`
- C. `vrf eng
vlan 25
interface vlan 25
ip address 10.105.43.1/24
ipv6 address fd00:5708::f02d:4df6/64
vrf attach eng`
- D. `interface vlan 25
vrf attach eng
ip address 10.105.43.1/24
ipv6 address fd00:5708::f02d:4df6/64`

ANSWER: B

QUESTION: 31

You are helping an onsite network technician bring up an Aruba 9004 gateway with ZTP for a branch office. The technician was told to plug in any port for the ZTP process to start.

Thirty minutes after the gateway was plugged in, new users started to complain they were no longer able to get to the internet. One user who reported the issue stated their IP address is 172.16.0.81. However, the branch office network is supposed to be on 10.231.81.0/24.

What should the technician do to alleviate the issue and get the ZTP process started correctly?

- A. Move the cable on the gateway to G0/0/1, and add the device's MAC and Serial number in Central.
- B. Turn off the DHCP scope on the gateway, and set DNS correctly on the gateway to reach Aruba Activate.
- C. Move the cable on the gateway from port G0/0/1 to port G0/0/0.**
- D. Factory default and reboot the gateway to restart the process.

QUESTION: 32

How is Multicast Transmission Optimization implemented in an HPE Aruba wireless network?

- A. When this option is enabled the minimum default rate for multicast traffic is set to 4 Mbps for 2.4 GHz.
- B. The optimal rate for sending multicast frames is based on the lowest latency across all associated clients.
- C. When this option is enabled the multicast traffic can be sent up to a maximum rate of 24 Mbps.
- D. The optimal rate for sending multicast frames is based on the WiFi channel being used by the clients.

QUESTION: 33

A customer is looking for a wireless authentication solution for all of their IoT devices that meet the following requirements:

- The wireless traffic between the IoT devices and the Access Points must be encrypted
- Unique passphrase per device
- Use fingerprint information to perform role-based access

Which solutions will address the customer's requirements? (Select two.)

- A. ClearPass Policy Manager
- B. MPSK Local with MAC Authentication
- C. MPSK and an internal RADIUS server
- D. MPSK Local with EAP-TLS
- E. Local User Derivation Rules

QUESTION: 34

What are two advantages of splitting a larger OSPF area into a number of smaller areas? (Select two.)

- A. It simplifies the configuration.
- B. It increases stability.
- C. It reduces the total number of LSAs.
- D. It reduces processing overhead.
- E. It extends the LSDB.

QUESTION: 35

Which statement best describes QoS?

- A. Identifying the quality of the connection

- B. Identifying specific traffic for special treatment
- C. Determining which traffic passes specified quality metrics
- D. Scoring traffic based on the quality of the contents

QUESTION: 36

How do you allow a new vlan 100 between VSX pair inter-switch-link 256 for port 1/45 and 2/45?

- A. vlan trunk add 100 in LAG256
- B. vlan trunk allowed 100 for ports 1 /45 and 1/46
- C. vlan trunk allowed all in LAG256
- D. vlan trunk allowed 100 in MLAG256

QUESTION: 37

A large retail client is looking to generate a rich set of contextual data based on the location information of wireless clients in their stores.

Which standard uses Round Trip Time (RTT) and Fine Time Measurements (FTM) to calculate the distance a client is from an AP?

- A. 802.11k
- B. 802.11w
- C. 802.11r
- D. 802.11mc

QUESTION: 38

Which statements are true about VSX LAG? (Select two.)

- A. Outgoing traffic is switched to a port based on a hashing algorithm which may be either switch in the pair.
- B. Up to 255 VSX LAGs can be configured on all 83xx and 84xx model switches.
- C. LAG traffic is passed over VSX ISL links only while upgrading firmware on the switch pair.
- D. The total number of configured links may not exceed 8 for the pair or 4 per switch.
- E. Outgoing traffic is preferentially switched to local members of the LAG.

QUESTION: 39

A customer wants to provide wired security as close to the source as possible. The wired security must meet the following requirements:

- allow ping from the IT management VLAN to the user VLAN
- deny ping sourcing from the user VLAN to the IT management VLAN

The customer is using Aruba CX 6300s.

What is the correct way to implement these requirements?

- A. Apply an outbound ACL on the user VLAN denying icmp echo traffic toward the IT management VLAN.
- B. Apply an outbound ACL on the user VLAN allowing icmp echo-reply traffic toward the IT management VLAN.
- C. Apply an inbound ACL on the user VLAN denying icmp echo traffic toward the IT management VLAN.
- D. Apply an inbound ACL on the user VLAN allowing icmp echo-reply traffic toward the IT management VLAN.**

QUESTION: 40

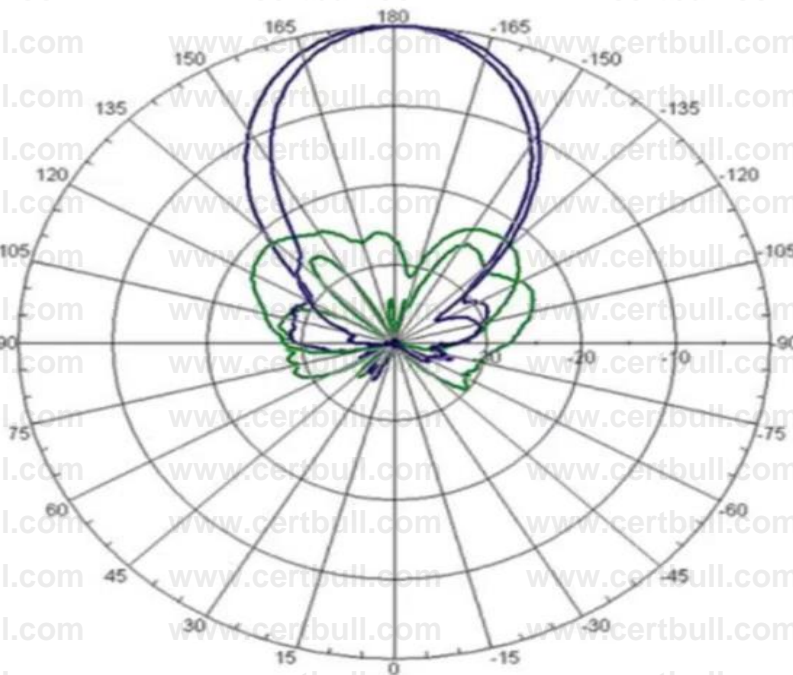
A customer wants to enable wired authentication across all their CX switches. One of the requirements is that the switch must be able to authenticate a single computer connected through a VoIP phone.

Which feature should be enabled to support this requirement?

- A. Device-Based Mode
- B. MAC Authentication
- C. Multi-Domain Authentication**
- D. Multi-Auth Mode

QUESTION: 41

Refer to the image.



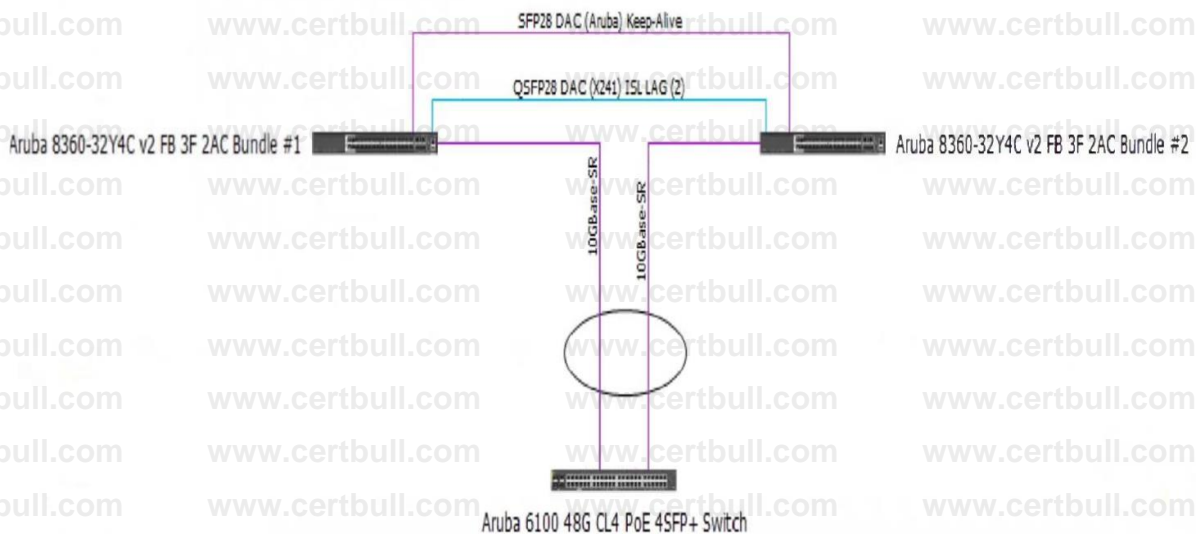
Horizontal Pattern

Your customer is complaining of weak Wi-Fi coverage in their office. They mention that the office on the other side of the hall has much better signal. What is the likely cause of this issue?

- A. The AP is using an external antenna.
- B. The AP is configured in Mesh mode.
- C. The AP is a remote access point.
- D. The AP is using a directional antenna.

QUESTION: 42

Review the exhibit.



You are troubleshooting an issue with a 10.102.39.0/24 subnet, which is also VLAN 1000 used for wireless clients on a pair of Aruba CX 8360 switches. The subnet SVI is configured on the 8360 pair, and the DHCP server is a Microsoft Windows Server 2022 Standard with an IP address of 10.200.1.100. The 10.102.250.0/24 subnet is used for switch management.

A large number of DHCP requests are failing. You are observing sporadic DHCP behavior across clients attached to the CX 6100 switch.

Which action may help fix the issue?

Enter the following commands on the Aruba CX 6100 switch:

```
interface vlan 1000
ip helper-address 10.200.1.100
exit
```

- A.
- B. Add an SVI in the 10.102.39.0/24 subnet on the Aruba CX 6100 switch that the APs are connected to.

Enter the following commands on the VSX secondary switch:

```
vlan 1000
ip relay-address 10.200.1.100
exit
```

- C.

Enter the following commands on the VSX primary switch:

```
vsx
vsx+sync || dhcp-relay
exit
```

D.

ANSWER: D

QUESTION: 43

Your customer currently has two (2) 5406 modular switches with MSTP configured as their core switches. You are proposing a new solution.

What would you explain regarding the Aruba CX VSX switch pair when the Primary VSX node is replaced and the system MAC is replaced?

- A. VSX will select the MAC address from a node that is a higher ID.
- B. Configure vMAC on the Primary VSX node under VSX to retain MAC after hardware replacement.
- C. During the initial VSX configuration, the system-mac is assigned with a fixed MAC based on VSX ID.**
- D. VSX will select the MAC address from a node that is the lower ID.

QUESTION: 44

What is enabled by LLDP-MED? (Select two.)

- A. GVRP VLAN information can be used to dynamically add VLANs to a trunk.
- B. iSCSI client devices can request to have flow control enabled.
- C. Voice VLANs can be automatically configured for VoIP phones.**
- D. APs can request power as needed from PoE-enabled switch ports.**
- E. iSCSI client devices can set the required MTU setting for the port.

QUESTION: 45

Describe the difference between Class of Service (CoS) and Differentiated Services Code Point (DSCP).

- A. CoS has much finer granularity than DSCP.
- B. CoS is only contained in VLAN Tag fields. DSCP is in the IP Header and preserved throughout the IP packet flow.**
- C. CoS is only used to determine CLASS of traffic. DSCP is only used to differentiate between different Classes.
- D. They are similar and can be used interchangeably.

QUESTION: 46

Match the terms below to their characteristics. (Options may be used more than once or not at all.)

Term

Characteristic

Unicast	A device with IP address 10.1.3.7 in a network wants to send the traffic stream to a device with IP address 10.13.4.2 in the other network
Multicast	One/more senders and one/more recipients participate in data transfer traffic
IP Directed Broadcast	Sent to all hosts on a remote network
Broadcast	Sent to all NICs on the same network segment as the source NIC

QUESTION: 47

In an ArubaOS 10 architecture using an AP and a gateway, what happens when a client attempts to join the network and the WLAN is configured with OWE?

- A. The Gateway will not respond.
- B. RADIUS protocol is utilized.
- C. No encryption is applied.
- D. Authentication information is not exchanged.**

QUESTION: 48

Select the Aruba stacking technology matching each option. (Options may be used more than once or not at all.)

VSF VSX

Answer Area

- Supports up to 10 devices per stack
- Supports two devices per stack
- Individual ISL links up to 400G are supported
- Individual ISL links up to 50G are supported
- A maximum aggregate ISL bandwidth of 200G is supported

ANSWER

VSF V SX

Answer Area

- VSF Supports up to 10 devices per stack
- VSX Supports two devices per stack
- VSX Individual ISL links up to 400G are supported
- VSF Individual ISL links up to 50G are supported
- VSF A maximum aggregate ISL bandwidth of 200G is supported

QUESTION: 49

Which statements regarding OSPFv2 route redistribution are true for Aruba OS CX switches? (Select two.)

- A. The "redistribute connected" command will redistribute all connected routes for the switch except local loopback addresses.
- B. The "redistribute static route-map connected-routes" command will redistribute all static routes with a matching permit in the route map "connected-routes".
- C. The "redistribute static route-map connected-routes" command will redistribute all static routes without a matching deny in the route map "connected-routes".
- D. The "redistribute connected" command will redistribute all connected routes for the switch including local loopback addresses.
- E. The "redistribute ospf" command will redistribute routes from all OSPF V2 and V3 processes.

QUESTION: 50

You need to ensure that voice traffic sent through an ArubaOS-CX switch arrives with minimal latency.

What is the best scheduling technology to use for this task?

- A. Rate limiting
- B. Strict queuing
- C. QoS shaping
- D. DWRR queuing

QUESTION: 51

Using Aruba best practices, what should be enabled for visitor networks where encryption is needed but authentication is not required?

- A. Open Network Access
- B. Opportunistic Wireless Encryption**
- C. Wired Equivalent Privacy
- D. Wi-Fi Protected Access 3 Enterprise

QUESTION: 52

What is an Aruba-recommended best practice for hardening that only applies to Aruba CX 6300 series switches with dedicated management ports?

- A. Implement a control plane ACL to limit access to approved IPs and/or subnets.
- B. Disable all management services on the default VRF**
- C. Create a dedicated management VRF, and assign the management port to it.
- D. Manually enable Enhanced Security Mode from a console session.

QUESTION: 53

Which feature allows the device to remain operational when a remote link failure occurs between a Gateway cluster and a RADIUS server that is either in the cloud or a datacenter?

- A. Opportunistic key caching
- B. Authentication survivability**
- C. MAC Authentication
- D. MAC caching

QUESTION: 54

A customer has a large number of food-producing machines.

- All machines are connected via Aruba CX 6200 switches in VLANs 100,110, and 120.
- Several external technicians are maintaining this special equipment.

What are the correct commands to ensure that no rogue DHCP server will impact the network?

- A.

```
dhcpv4-snooping all vlans
no dhcpv4-snooping option 82
interface lag 1
no shutdown
description Uplink-to-Core
no routing
vlan trunk native 1
vlan trunk allowed all
lACP mode active
dhcpv4-snooping trust
```

```
dhcp-snooping enable
no dhcp-snooping option 82
dhcp-snooping vlan 100-120
vlan 100
  name cornflakes
vlan 110
  name cornmill
vlan 120
  name packaging
```

B.

```
interface lag 1
  no shutdown
  description Uplink-to-Core
  no routing
  vlan trunk native 1
  vlan trunk allowed all
  lacp mode active
  dhcp-snooping trust
```

```
dhcpv4-snooping
no dhcpv4-snooping option 82
vlan 100
  name cornflakes
  dhcpv4-snooping
vlan 110
  name cornmill
  dhcpv4-snooping
vlan 120
  name packaging
  dhcpv4-snooping
interface lag 1
  no shutdown
  description Uplink-to-Core
  no routing
  vlan trunk native 1
  vlan trunk allowed all
  lacp mode active
  dhcpv4-snooping trust
```

C.

```
dhcp snooping enable
no dhcp-snooping option 82
vlan 100
  name cornflakes
  dhcp-snooping
vlan 110
  name cornmill
  dhcp-snooping
vlan 120
  name packaging
  dhcp-snooping
interface lag 1
  no shutdown
  description Uplink-to-Core
  no routing
  vlan trunk native 1
  vlan trunk allowed all
  lacp mode active
  dhcp snooping trust
```

D.

ANSWER: C

QUESTION: 55

What is an OSPF transit network?

- A. a special network that connects two different areas
- B. a network that connects to a different routing protocol
- C. a network that uses tunnels to connect two areas
- D. a network on which a router discovers at least one neighbor

QUESTION: 56

A customer is using a legacy application that communicates at layer-2. The customer would like to keep this application working to a remote site connected via layer-3. All legacy devices are connected to a dedicated Aruba CX 6200 switch at each site.

What technology on the Aruba CX 6200 could be used to meet this requirement?

- A. Ethernet over IP (EoIP)
- B. Static VXLAN
- C. Inclusive Multicast Ethernet Tag (IMET)
- D. Generic Routing Encapsulation (GRE)

QUESTION: 57

A customer wants to deploy a Gateway and take advantage of all the SD-WAN features. Which persona role option should be selected?

- A. ArubaOS 10 Mobility
- B. ArubaOS 10 Wireless
- C. ArubaOS 10 Branch
- D. ArubaOS 10 VPN Concentrator

QUESTION: 58

A customer is using a legacy application that communicates at layer-2. The customer would like to keep this application working across the campus, which is connected via layer-3. The legacy devices are connected to Aruba CX 6300 switches throughout the campus.

Which technology minimizes flooding so the legacy application can work efficiently?

- A. Static VXLAN
- B. Ethernet over IP (EoIP)
- C. EVPN-VXLAN
- D. Generic Routing Encapsulation (GRE)

QUESTION: 59

You are configuring Policy Based Routing (PBR) for a subnet that will be used to test a new default route for your network. Traffic originating from 10.2.250.0/24 should use a new default route to 10.1.1.253. Other non-default routes for this subnet should not be affected by this change.

What are two parts of the solution for these requirements? (Select two.)

- A.

```
pbr-action-list def_route_test
  default-nexthop 10.1.1.253/24
class ip test_subnet
  10 match any 10.2.250.0/24 any
policy def_route_test_policy
  10 class ip test_subnet action pbr def_route_test
interface vlan 100
  ip address 10.2.250.0/24
  apply policy pbr_test routed in
```
- B.

```
pbr-action-list def_route_test
  default-nexthop 10.1.1.253
interface null
```
- C.

```
pbr-action-list def_route_test
  nexthop 10.1.1.253
interface null
```
- D.

```
class ip test_subnet
  10 match any 10.2.250.0 255.255.255.0 any
policy def_route_test_policy
  10 class ip ip_test_subnet action pbr def_route_test
interface vlan 100
  ip address 10.2.250.0/24
  apply policy pbr_test routed out
```
- E.

ANSWER: B, C

QUESTION: 60

The administrator notices that wired guest users that have exceeded their bandwidth limit are not being disconnected. Access Tracker in ClearPass indicates a disconnect CoA message is being sent to the AOS-CX switch.

An administrator has performed the following configuration:

```

Access1(config)# ip dns host cppm.arubatrainng.com 10.254.1.23 vrf mgmt
Access1(config)# radius-server host cppm.arubatrainng.com key plaintext aruba123 vrf mgmt
Access1(config)# aaa group server radius cppm
Access1(config-sg)# server cppm.arubatrainng.com vrf mgmt
Access1(config-sg)# exit
Access1(config)# aaa accounting port-access start-stop interim 5 group cppm
Access1(config)# radius dyn-authorization client cppm.arubatrainng.com secret-key plaintext aruba123 vrf mgmt
Access1(config)# radius dyn-authorization enable

```

What is the most likely cause of this issue?

- A. There is a mismatch between the RADIUS secret on the switch and CPPM.
- B. The SSL certificate for CPPM has not been added as a trust point on the switch.
- C. Change of Authorization has not been globally enabled on the switch.
- D. There is a time difference between the switch and the ClearPass Policy Manager.**

QUESTION: 61

Match the solution components of NetConductor. (Options may be used more than once or not at all.)

		Answer Area
Client Insights	Cloud Auth	<input type="checkbox"/> Built-in, AI-powered client visibility and fingerprinting capability that leverages infrastructure telemetry and ML-based blind spots
The Fabric Wizard	Policy Manager	<input type="checkbox"/> Defines user and device groups and creates the associated access enforcement rules for the physical network
		<input type="checkbox"/> Enables frictionless onboarding of end users and client devices either through MAC address-based authentication or stores
		<input type="checkbox"/> Simplifies the creation of the overlays using an intuitive, graphical user interface and automatic generation of config switches and gateways

ANSWER

		Answer Area
Client Insights	Cloud Auth	<input type="checkbox"/> Client Insights Built-in, AI-powered client visibility and fingerprinting capability that leverages infrastructure telemetry and ML-based blind spots
The Fabric Wizard	Policy Manager	<input type="checkbox"/> Policy Manager Defines user and device groups and creates the associated access enforcement rules for the physical network
		<input type="checkbox"/> Cloud Auth Enables frictionless onboarding of end users and client devices either through MAC address-based authentication or stores
		<input type="checkbox"/> The Fabric Wizard Simplifies the creation of the overlays using an intuitive, graphical user interface and automatic generation of config switches and gateways

QUESTION: 62

What is true regarding 802.11k?

- A. It reduces roaming delay by pre-authenticating clients with multiple target APs before a client roams to an AP. It extends radio measurements to define mechanisms for wireless network management of stations.
- B. It considers several metrics before it determines if a client should be steered to the 5GHz band, including client RSSI.
- C. It provides mechanisms for APs and clients to dynamically measure the available radio resources.

QUESTION: 63

You need to have different routing-table requirements with Aruba CX 6300 VSF configuration.

Assuming the correct layer-2 VLAN already exists, how would you create a new SVI for a separate routing table?

- A. Create a new VLAN, and attach the VRF to it.
- B. Create a new VLAN, and attach the routing table to it.
- C. Create a new routing table, and attach VLANs to it.
- D. Create a new SVI and use attach vrf command.

QUESTION: 64

Your customer is interested in hearing more about how roles can help keep consistent policy enforcement in a distributed overlay fabric.

How would you explain this concept to them?

- A. Role-based policies enhance User Based Tunneling across the campus network and the policy traffic is protected with IPsec.
- B. Group Based Policy ID is applied on egress VTEP after device authentication and policy is enforced on ingress VTEP.
- C. Role-based policies are tied to IP addresses which have an advantage over IP-based policies and role names are sent between VTEPs.
- D. Group Based Policy ID is applied on ingress VTEP after device authentication and policy is enforced on egress VTEP.

QUESTION: 65

A network administrator is attempting to troubleshoot a connectivity issue between a group of users and a particular server. The administrator needs to examine the packets over a period of time from their desktop; however, the administrator is not directly connected to the AOS-CX switch involved with the traffic flow.

What statements are correct regarding the ERSPAN session that needs to be established on an AOS-CX switch? (Select two.)

- A. The encapsulation protocol used is GRE.
- B. The encapsulation protocol used is VXLAN.
- C. On the source AOS-CX switch, the destination specified is the switch to which the administrator's desktop is connected.
- D. The encapsulation protocol is UDP.
- E. On the source AOS-CX switch, the destination specified is the administrator's desktop.

QUESTION: 66

Which statement is correct for the Aruba Network Analytics Engine (NAE) in a VSX environment?

- A. NAE is not VSX aware and the python-based agents on each member device store sensor values locally.
- B. The agent on each member switch can connect to the other member's database to detect discrepancies.
- C. NAE is VSX aware and the ruby-based agents on each member device store sensor values remotely.
- D. NAE is VSX aware and the python-based agents on each member device store sensor values remotely.

QUESTION: 67

In AOS 10, which session-based ACL below will only allow ping from any wired station to wireless clients but will not allow ping from wireless clients to wired stations? The wired host ingress traffic arrives on a trusted port.

- A.

```
ip access-list session pingFromWired
user any svc-icmp deny
any any svc-icmp permit
```
- B.

```
ip access-list session pingFromWired
any any svc-icmp deny
any user svc-icmp permit
```
- C.

```
ip access-list session pingFromWired
any any svc-icmp permit
user any svc-icmp deny
```
- D.

```
ip access-list session pingFromWired
any user any permit
```

ANSWER: A

QUESTION: 68

What steps are part of the Key Management workflow when a wireless device is roaming from AP1 to AP2? (Select two.)

- A. The Key Management service receives a list of all AP1's neighbors from AirMatch.
- B. The Key Management service receives from AirMatch a list of all AP2's neighbors.
- C. AP1 will cache the client's information and send it to the Key Management service.
- D. The Key Management service then generates RI keys for AP2's neighbors.
- E. A client associates and authenticates with the AP2 after roaming from AP1.

QUESTION: 69

A customer is using stacked Aruba CX 6200 and CX 6300 switches for access and a VSX pair of Aruba CX 8325 as a collapsed core. 802.1X is implemented for authentication. Due to the lack of cabling, some unmanaged switches are still in use. Sometimes devices behind these switches cause network outages. The switch should send a warning to the helpdesk when the problem occurs. You have been asked to implement an effective solution to the problem.

What is the solution for this?

- A. Configure loop protection on all edge ports of the Aruba CX 6200 and CX 6300 switches
No trap option is needed
- B. Configure spanning tree on the Aruba CX 8325 switches
Set the trap-option
- C. Configure loop protection on all edge ports of the Aruba CX 6200 and CX 6300 switches
Set up the trap-option
- D. Configure spanning tree on the Aruba CX 6200 and CX 6300 switches
No trap option is needed

ANSWER: C

QUESTION: 70

The customer needs a network hardware refresh to replace an aging Aruba 5406R core switch pair using spanning tree configuration with Aruba CX 8360-32YC switches.

What is the benefit of VSX clustering with the new solution?

- A. dual Aruba AP LAN port connectivity for PoE redundancy
- B. faster MSTP converge processing

C. a dual control plane provides better resiliency

D. stacked data-plane

QUESTION: 71

For the Aruba CX 6400 switch, what does virtual output queueing (VOQ) implement that is different from most typical campus switches?

A. large ingress packet buffers

B. VSX

C. large egress packet buffers

D. per port ASICs

QUESTION: 72

Which method is used to onboard a new UXI in an existing environment with 802.1 X authentication? (The sensor has no cellular connection.)

A. Use the UXI app on your smartphone and connect the UXI via Bluetooth.

B. Use the CLI via the serial cable and adjust the initial configuration.

C. Use the Aruba installer app on your smartphone to scan the barcode.

D. Connect the new UXI from an already installed one and adjust the initial configuration.

QUESTION: 73

A network administrator is troubleshooting some issues guest users are having when connecting and authenticating to the network. The access switches are AOS-CX switches.

What command should the administrator use to examine information on which role the guest user has been assigned?

A. show port-access role

B. show aaa authentication port-access interface all client-status

C. show port-access captiveportal profile

D. diag-dump captive portal client verbose

QUESTION: 74

Which standard supported by some Aruba APs can enable a customer to accurately locate wireless client devices within a few meters?

A. 802.11V

B. 802.11ah

C. 802.11 be

D. 802.11 mc

QUESTION: 75

What is the order of operations for Key Management service for a wireless client roaming from AP1 to AP2?

Operation	Order
Cache the client's information	
Client associates and authenticates to AP1	
Generate Pairwise Master Key keys for AP1's neighbors	
Get AP1 neighbor AP list	
Share Pairwise Master Key along with VLAN and User Role to target APs	

Navigation arrows: Left arrow, Right arrow, Up arrow, Down arrow

ANSWER

Operation	Order
Client associates and authenticates to AP1	1
Cache the client's information	2
Get AP1 neighbor AP list	3
Generate Pairwise Master Key keys for AP1's neighbors	4
Share Pairwise Master Key along with VLAN and User Role to target APs	5

Navigation arrows: Left arrow, Right arrow, Up arrow, Down arrow

QUESTION: 76

Your customer is having connectivity issues with a newly-deployed Microbranch group. The access points in this group are online in Aruba Central, but no VPN tunnels are forming.

What is the most likely cause of this issue?

- A. There is a time difference between the AP and the gateways. The gateways should have NTP added.
- B. There may be a firewall blocking GRE tunneling between the AP and the gateway.
- C. The gateway group is running in automatic cluster mode and should be in manual cluster mode.
- D. The SSL certificate on the gateway used to encrypt the connection has not been added to the APs trust list.

QUESTION: 77

Your customer has asked you to assign a switch management role for a new user. The customer requires the user role to view switch configuration information and have access to the PUT and POST methods for REST API.

Which default AOS-CX user role meets these requirements?

- A. Helpdesk
- B. Auditors
- C. Sysops
- D. administrators

QUESTION: 78

How is Multicast Transmission Optimization implemented in an HPE Aruba wireless network?

- A. The optimal rate for sending multicast frames is based on the lowest broadcast rate across all associated clients.
- B. When this option is enabled the minimum default rate for multicast traffic is set to 12 Mbps for 5 GHz.
- C. The optimal rate for sending multicast frames is based on the lowest unicast rate across all associated clients.
- D. The optimal rate for sending multicast frames is based on the highest broadcast rate across all associated clients.

QUESTION: 79

Your Director of Security asks you to assign AOS-CX switch management roles to new employees based on their specific job requirements. After the configuration was complete, it was noted that a user assigned with the administrator's role did not have the appropriate level of access on the switch.

The user was not limited to viewing nonsensitive configuration information and a level of 1 was not assigned to their role. Which default management role should have been assigned for the user?

- A. operators
- B. auditors
- C. sysadmin
- D. config

QUESTION: 80

Which component is used by the Aruba Network Analytics Engine (NAE)?

- A. Swift-based scripts

- B. Apache Cassandra
- C. Firebase Realtime Database
- D. Current State Database

QUESTION: 81

You are doing tests in your lab and with the following equipment specifications:

- AP1 has a radio that generates a 20 dBm signal.
- AP2 has a radio that generates a 8 dBm signal.
- AP1 has an antenna with a gain of 7 dBi.
- AP2 has an antenna with a gain of 12 dBi.
- The antenna cable for AP1 has a 3 dB loss.
- The antenna cable for AP2 has a 3 dB loss.

What would be the calculated Equivalent Isotropic Radiated Power (EIRP) for AP1?

- A. 38 dBm
- B. 2 dBm
- C. 8 dBm
- D. 24dBm

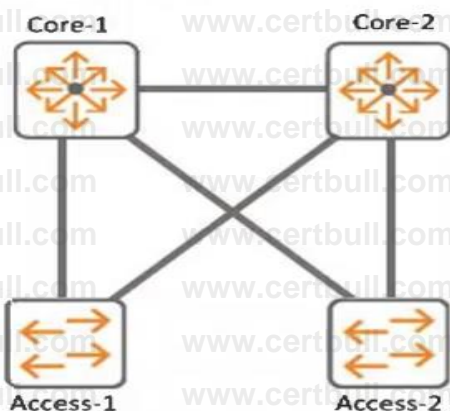
QUESTION: 82

Which feature supported by SNMPv3 provides an advantage over SNMPv2c?

- A. Authentication
- B. Community strings
- C. GetBulk
- D. Transport mapping

QUESTION: 83

Refer to the exhibit.



With Core-1, what is the default value for config-revision?

- A. 0 0
- B. 1
- C. 0
- D. 10

QUESTION: 84

With the Aruba CX 6000 48G switch with uplinks of 1/1/51 and 1/1/52, what does the switch do when a client port detects a loop and tx-rx-disable parameter is used?

- A. The port that received the loop is disabled.
- B. The ports that confirmed the loop are disabled.
- C. The ports that transmitted and received the loop are disabled.
- D. The port that transmitted the loop is disabled.

QUESTION: 85

Which standard supported by some Aruba APs can enable a customer to accurately locate wireless client devices within a few meters?

- A. 802.11 mc
- B. 802.11i
- C. 802.11w
- D. 802.11h

QUESTION: 86

You are deploying a bonded 80 MHz wide channel. What is the difference in the noise floor perceived by a client using this bonded channel as compared to an unbonded 20MHz wide channel?

- A. 3dB
- B. 9dB
- C. 2dB
- D. 6dB

QUESTION: 87

You must ensure the HPE Aruba network you are configuring for a client is capable of plug-and-play provisioning of access points. What enables this capability?

- A. UCC Service
- B. SRTP
- C. LLDP-MED
- D. CSMA

QUESTION: 88

You are doing tests in your lab and with the following equipment specifications:

- AP1 has a radio that generates a 10 dBm signal.
- AP2 has a radio that generates a 11 dBm signal.
- AP1 has an antenna with a gain of 9 dBi.
- AP2 has an antenna with a gain of 12 dBi.
- The antenna cable for AP1 has a 2 dB loss.
- The antenna cable for AP2 has a 3 dB loss.

What would be the calculated Equivalent Isotropic Radiated Power (EIRP) for AP1?

- A. 26 dBm
- B. -12 dBm
- C. 17 dBm
- D. -8 dBm

QUESTION: 89

You need to create a keepalive network between two Aruba CX 8325 switches for VSX configuration.

How should you establish the keepalive connection?

- A. multicast protocol over ISL
- B. routed port, interconnected with VSX members
- C. SVI in default VRF
- D. routed port via downstream switches

QUESTION: 90

A large retail client is looking to generate a rich set of contextual data based on the location information of wireless clients in their stores.

Which standard uses Round Trip Time (RTT) and Fine Time Measurements (FTM) to calculate the distance a client is from an AP?

- A. 802.11be
- B. 802.11ah
- C. 802.11mc
- D. 802.11v

QUESTION: 91

With the Aruba CX switch configuration, what is the Active Gateway feature that is used for and is unique to VSX configuration?

- A. Sixteen different VMACs are supported for each IPv4 and IPv6 stack simultaneously.
- B. Traffic is copied over the ISL link for an optimized path.
- C. Sixteen different VMACs are supported in total as shared.

D. Active Gateway can be enabled once MSTP instances are created for VLAN load sharing.

QUESTION: 92

In AOS 10, which session-based ACL below will only allow ping from any wired station to wireless clients but will not allow ping from wireless clients to wired stations? The wired host ingress traffic arrives on a trusted port.

A.

```
ip access-list session pingFromWired
any any svc-icmp permit
user any svc-icmp deny
```

B.

```
ip access-list session pingFromWired
any any svc-icmp deny
any user svc-icmp permit
```

C.

```
ip access-list session pingFromWired
user any svc-icmp deny
any any svc-icmp permit
```

D.

```
ip access-list session pingFromWired
any user any permit
```

ANSWER: C

QUESTION: 93

Due to a shipping error, five (5) Aruba AP-515S and one (1) Aruba CX 6300 were sent directly to your new branch office. You have configured a new group persona for the new branch office devices in Central, but you do not know their MAC addresses or serial numbers. The office manager is instructed via text message on their smartphone to onboard all the new hardware into Aruba Central.

What application must the office manager use on their phone to complete this task?

A. Aruba Installer App

B. Aruba Central App

C. Aruba Onboard App

D. Aruba CX Mobile App

QUESTION: 94

With the Aruba CX switch configuration, what is the Active Gateway feature that is used for hello messages?

A. non-IP Ethernet packet

B. multicast address 224.0.1.3

C. tcp session with port 6363

D. broadcast with udp port 5555

QUESTION: 95

A company recently deployed new Aruba Access Points at different branch offices. Wireless 802.1X authentication will be against a RADIUS server in the cloud. The security team is concerned that the traffic between the AP and the RADIUS server will be exposed.

What is the appropriate solution for this scenario?

- A. Enable EAP-TLS on all wireless devices.
- B. Configure RadSec on the AP and the RADIUS server.
- C. Enable EAP-TTLS on all wireless devices.
- D. Configure RadSec on the AP and Aruba Central.

QUESTION: 96

Which method is used to onboard a new UXI in an existing environment with 802.1X authentication? (The sensor has no cellular connection.)

- A. Connect the new' UXI from an already installed one and adjust the initial configuration.
- B. Use the Aruba installer app on your smartphone to scan the barcode.
- C. Use the UXI app on your smartphone and connect the UXI via Bluetooth.
- D. Use the CLI via the serial cable and adjust the initial configuration.

QUESTION: 97

Your Director of Security asks you to assign AOS-CX switch management roles to new employees based on their specific job requirements. After the configuration was complete, it was noted that a user assigned with the administrator's role did not have the appropriate level of access on the switch.

The user was not limited to viewing nonsensitive configuration information and a level of 1 was not assigned to their role. Which default management role should have been assigned for the user?

- A. sysops
- B. config
- C. sysadmin
- D. operators

QUESTION: 98

What is the classification in wireless IDS/IPS (WIP) for an unauthorized AP which has only been seen on the wireless network*?

- A. Suspected AP

- B. Ad-Hoc AP
- C. Rogue AP
- D. Interfering AP**

QUESTION: 99

Which statement is correct for the Aruba Network Analytics Engine (NAE) in a VSX environment?

- A. The agent on each member switch can connect to the other members database to detect discrepancies.
- B. Each agent in the VSX pair connects to the other member's replicated database to detect discrepancies.**
- C. NAE is not VSX aware and the ruby-based agents on each member device store sensor values locally.
- D. NAE is not VSX aware and the python-based agents on each member device store sensor values locally.

QUESTION: 100

You are doing tests in your lab and with the following equipment specifications:

- AP1 has a radio that generates a 16 dBm signal.
- AP2 has a radio that generates a 13 dBm signal.
- AP1 has an antenna with a gain of 8 dBi
- AP2 has an antenna with a gain of 12 dBi
- The antenna cable for AP1 has a 4 dB loss.
- The antenna cable for AP2 has a 3 dB loss.

What would be the calculated Equivalent Isotropic Radiated Power (EIRP) for AP1?

- A. -1 dBm
- B. -9 dBm
- C. 15dBm
- D. 20 dBm**

QUESTION: 101

With the Aruba CX 6200 48G switch with uplinks of 1/1/47 and 1/1/48, how do you protect client ports from forming layer-2 loops?

- A. int 1/1/1-1/1/46, loop-protect**
- B. int 1/1/1-1/1/52, loop-guard
- C. int 1/1/1-1/1/48, loop-protect
- D. int 1/1/1-1/1/46, loop-guard

QUESTION: 102

Your manufacturing client is having installers deploy seventy headless scanners and fifty IP cameras in their warehouse. These new devices do not support 802.1X authentication.

How can HPE Aruba reduce the IT administration overhead associated with this deployment while maintaining a secure environment using MPSK?

- A. Have the MPSK gateway derive the unique pre-shared keys based on the MAC OUI.
- B. Have the installers generate keys with ClearPass Self Service Registration.
- C. Pre-define the unique pre-shared keys in Aruba Central before deployment.
- D. Use MPSK Local to automatically provide unique pre-shared keys for devices.

QUESTION: 103

Which feature supported by SNMPv3 provides an advantage over SNMPv2c?

- A. GetNext
- B. InformRequest
- C. GetBulk
- D. Message integrity

QUESTION: 104

Your customer is having issues with Wi-Fi 6 clients staying connected to poor-performing APs when a higher throughput APs are closer.

Which technology should you implement?

- A. Clearpass
- B. Airmatch
- C. ClientMatch
- D. ARM

QUESTION: 105

A large retail client is looking to generate a rich set of contextual data based on the location information of wireless clients in their stores.

Which standard uses Round Trip Time (RTT) and Fine Time Measurements (FTM) to calculate the distance a client is from an AP?

- A. 802.11w
- B. 802.11i
- C. 802.11k
- D. 802.11mc

QUESTION: 106

You need to create a keepalive network between two Aruba CX 8325 switches for VSX configuration.

How should you establish the keepalive connection?

- A. loopback 0 and OSPF area 0 in default VRF
- B. SVI, VLAN trunk allowed all on ISL in custom VRF
- C. routed port in custom VRF
- D. SVI, VLAN trunk allowed all on ISL in default VRF

QUESTION: 107

You are working on a network where the customer has a dedicated router with redundant Internet connections for outbound high-importance real-time audio streams from their datacenter. All of this traffic:

- originates from a single subnet
- uses a unique range of UDP ports
- is required to be routed to the dedicated router

All other traffic should route normally. The SVI for the subnet containing the servers originating the traffic is located on the core routing switch in the datacenter.

What should be configured?

- A. Configure a new OSPF area including both the core routing switch and the dedicated router.
- B. Configure a BGP link between the core routing switch and the dedicated router and route filtering.
- C. Configure a dedicated VRF on the core routing switch and make the dedicated router the default route.
- D. Configure Policy Based Routing (PBR) on the core routing switch for the VRF with the servers' SVI.

QUESTION: 108

You are building a configuration in Central that will be used for a standardized network design for small sites for your company. You want to use GUI configuration for gateways and APs, while using template configuration for switches. You need to align with Aruba best practices.

Which set of actions will satisfy these requirements?

A. Create one group in Central for switches and a second group for APs and gateways. Create a unique site for each location, and assign devices to the appropriate site.

B. Create one group in Central for switches, a second group for APs, and a third group for gateways. Create a unique site for each location, and assign devices to the appropriate site.

C. Create a single group in Central. Create a unique site for each location, and assign devices to the appropriate site.

D. Create a single group in Central. Create a unique site for each type of device, and assign devices to the appropriate site.

QUESTION: 109

How do you allow a new VLAN 200 for downstream access switch with VSX pair using VSX LAG?

A. vlan trunk allowed 200 in LAG 1 multi-chassis

B. vlan trunk allowed 200 for ports 1/45 and 1/46

C. vlan trunk allowed 200 in MLAG 1

D. vlan trunk add 100 in MLAG1

QUESTION: 110

What is used to retrieve data stored in a Management Information Base (MIB)?

A. CDP

B. SNMPv3

C. SRTP

D. tlv

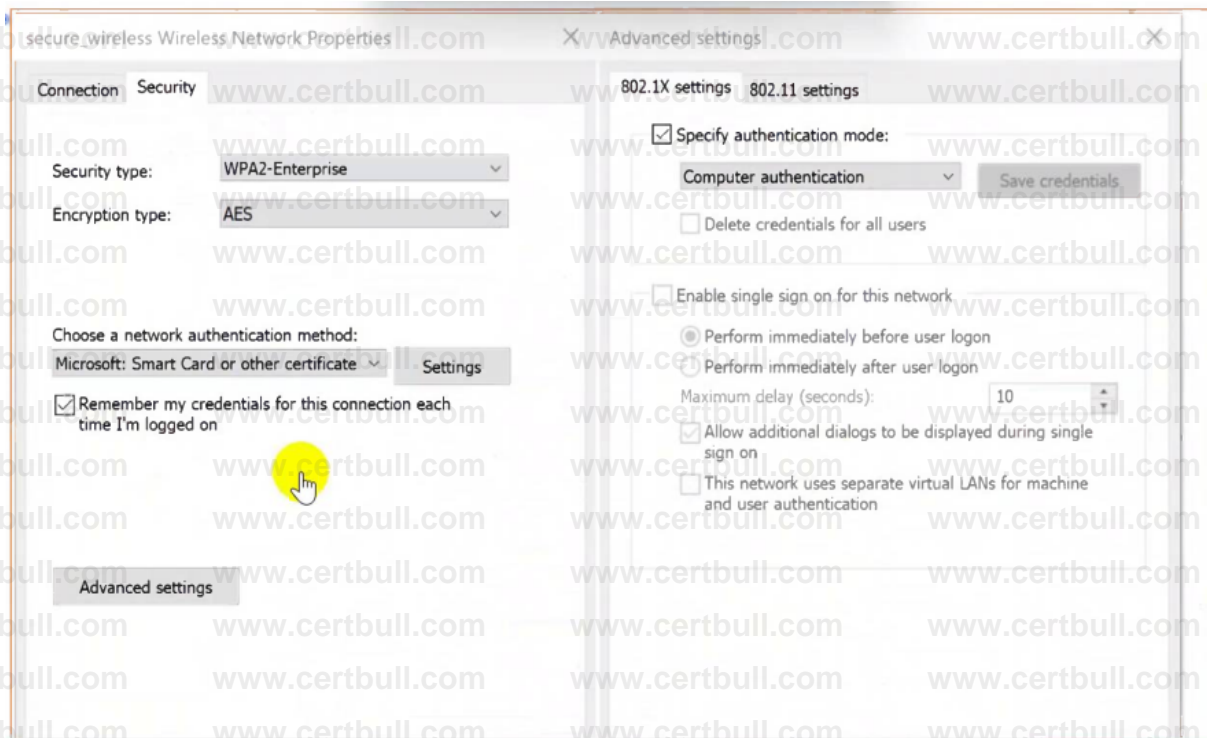
QUESTION: 111

A company is in the planning stages to migrate all their wireless domain laptops from WPA2 EAP-PEAP to EAP-TLS with Machine Authentication. The administrator is testing a new GPO that was pushed to only a few Windows domain Laptops. The policy will configure the wireless profile to perform machine and certificate-based authentication.

To support this new initiative the administrator also configured a new ClearPass 802.1X wireless service that only allows devices that successfully perform machine and certificate-based authentication. After successfully pushing the GPO, the Windows laptops are unable to join the configured "secure_wireless" SSID as shown below.

Access Points					
Wireless SSIDs		Security	Access-Type	Traffic forwarding mode	Network
secure_wireless	wpa2-aes	Role Based	Bridge	Yes	
open_wireless	opensystem	Unrestricted	Bridge	Yes	

Which configuration setting would resolve this issue?



QUESTION: 112

What is true regarding Gateway Clusters in AOS10? (Select two)

- A. allows for a backup cluster
- B. supports Client state sync in L3 mode
- C. disables Auto Group by default
- D. allows for differing firmware between cluster members
- E. supports up to 6 nodes for 7000/7200 mixed clusters

QUESTION: 113

A customer is concerned about the unprotected traffic between an AOS-CX switch and a gateway, running on AOS10. What is a feasible option to protect this traffic?

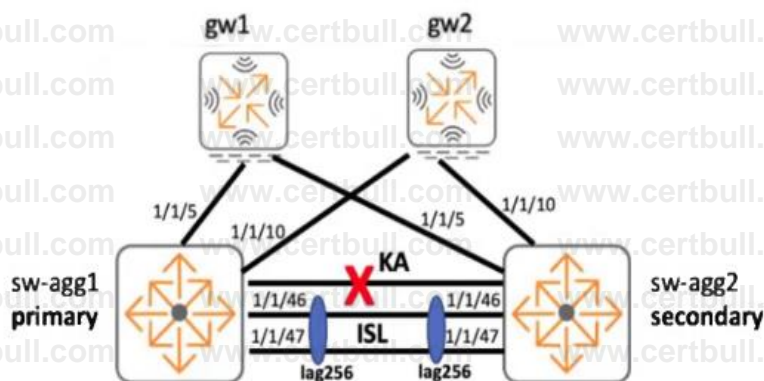
- A. no action is needed, an RSA certificate already encrypts the traffic
- B. implement an IPsec tunnel to protect PAPI between the AOS-CX switches and the gateway
- C. implement a GRE tunnel to protect PAPI between the AOS-CX switches and the gateway
- D. implement an MD5 HMAC function to protect PAPI between the AOS-CX switches and the gateway**

QUESTION: 114

You are adding a new gateway (gw2) to a site. After bringing up the 2nd link to sw-agg2 on gw2 you notice connectivity issues to the gateway. How would you best remediate the issue to gw2?

Config snippet on both sw-agg1 and sw-agg2:

```
interface 1/1/10
no shutdown
lag 10
exit
interface lag 10
no shutdown
no routing
vlan trunk native 1
vlan trunk allowed all
exit
```



- A. The keep-alive must be up first before fixing any secondary issues.
- B. Remove spanning tree on gw2 and the keep-alive link can remain down.
- C. Add spanning tree to gw2 and then remediate the keep-alive link on the aggregation VSX pair.
- D. Reconfigure LAG 10 to be multi-chassis and the keep-alive link can remain down.**

QUESTION: 115

By default, Best Effort is higher priority than which priority traffic type?

- A. Background
- B. Network Control
- C. Internet Control
- D. All queues

QUESTION: 116

A company deploys several Gateways at different branch offices. All branch offices are broadcasting the same two SSIDs, one for 802.1X using ClearPass and one for visitors. The ClearPass appliances are located at HQ. The customer requires that if the ClearPass appliances are reachable from the branch offices, the wireless devices connected to the 802.1X SSID are able to reconnect for at least 48 hours.

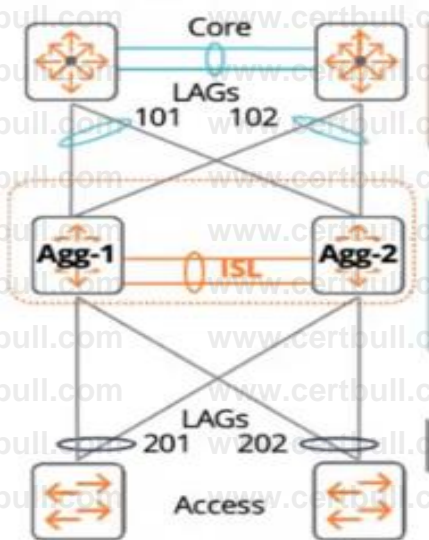
What can the administrator use to meet this requirement?

- A. SSID configured in Tunneled Mode with wireless devices using EAP-TLS
- B. SSID configured in Bridge Mode with wireless devices using EAP-PEAP
- C. SSID configured in Tunneled Mode with wireless devices using EAP-PEAP
- D. SSID configured in Bridge Mode with wireless devices using EAP-TLS

QUESTION: 117

A customer just upgraded aggregation layer switches and noticed traffic dropping for 120 seconds after the aggregation layer came online again.

What is the best way to avoid having this traffic dropped given the topology below?



- A. Configure the linkup delay timer to include LAGs 101 and 102. which will allow time for routing adjacencies to form and to learn upstream routes.

B. Configure the linkup delay timer to 120 seconds, which will allow the right amount of time for the initial phase to sync.

C. Configure the linkup delay timer to exclude LAGs 101 and 102, which will allow time for routing adjacencies to form and to learn upstream routes.

D. Configure the linkup delay timer to 240 seconds to double the amount of time for the initial phase to sync.

QUESTION: 118

A company is planning to implement wired authentication on all its CX switches.

The requirements for the implementation are the following.

- Support 802 1X and MAC authentication
- Prioritize MAC over 802 1X authentication
- Limit the devices per port to 5

Which configuration meets the requirements?

```
radius-server host 10.1.1.2 key plaintext aruba123
radius-server host 10.1.1.1 key plaintext aruba123
radius-server dyn-authorization enable
|
aaa group server radius RADIUS-GROUP
  server 10.1.1.1
  server 10.1.1.2
|
aaa authentication port-access dot1x authenticator radius server-group RADIUS-GROUP
aaa authentication port-access dot1x authenticator auth-method eap-radius
aaa authentication port-access mac-auth auth-method pap
aaa authentication port-access mac-auth radius enable
|
interface 1/1/1-1/1/24
aaa authentication port-access dot1x authenticator
enable
aaa authentication port-access mac-auth
enable
aaa authentication port-access auth-precedence mac-auth dot1x
aaa authentication port-access auth-mode client-mode
aaa authentication port-access client-limit 5
```

A.

```
radius-server host 10.1.1.1 key plaintext aruba123
radius-server host 10.1.1.2 key plaintext aruba123
radius-server dyn-authorization enable
|
aaa group server radius RADIUS-GROUP
  server 10.1.1.2
  server 10.1.1.1
```

B.

```
aaa authentication port-access dot1x authenticator auth-method eap-radius
aaa authentication port-access dot1x authenticator enable
aaa authentication port-access mac-auth auth-method pap
aaa authentication port-access mac-auth radius enable
|
interface 1/1/1-1/1/24
aaa authentication port-access mac-auth
enable
aaa authentication port-access auth-precedence dot1x mac-auth
aaa authentication port-access auth-mode client-mode
aaa authentication port-access client-limit 5
```

```

radius-server host 10.1.1.1 key plaintext aruba123
radius-server host 10.1.1.2 key plaintext aruba123
radius-server dyn-authorization enable
|
aaa group server radius RADIUS-GROUP
  server 10.1.1.1
  server 10.1.1.2
|
aaa authentication port-access dot1x authenticator radius enable
aaa authentication port-access mac-auth radius disable
|
interface 1/1/1-1/1/24
aaa authentication port-access dot1x authenticator
enable
aaa authentication port-access mac-auth
enable
aaa authentication port-access auth-precedence mac-auth dot1x
aaa authentication port-access auth-mode client-mode
aaa authentication port-access client-limit 5

```

C.

ANSWER: A

QUESTION: 119

Your Director of Security asks you to assign AOS-CX switch management roles to new employees based on their specific job requirements. After the configuration was complete, it was noted that a user assigned with the operator's role did not have the appropriate level of access on the switch.

The user was not limited to a specific CLI context and a privilege level of 19 was not assigned to their role. Which default management role should have been assigned for the user?

- A. guests
- B. auditors**
- C. helpdesk
- D. sysadmin

QUESTION: 120

What steps are part of the Key Management workflow when a wireless device is roaming from AP1 to AP2? (Select two.)

- A. The Key Management service then generates R1 keys for AP2's neighbors.
- B. AP1 will cache the client's information and send it to the Key Management service.**
- C. The Key Management service receives a list of all AP1's neighbors from AirMatch.**
- D. A client associates and authenticates with the AP2 after roaming from AP1
- E. The Key Management service receives from AirMatch a list of all AP2's neighbors

QUESTION: 121

Your customer has asked you to assign a switch management role for a new user. The customer requires the user role to view switch configuration information and have access to the PUT and POST methods for REST API.

Which default AOS-CX user role meets these requirements?

- A. administrators
- B. config
- C. sysops
- D. operators

QUESTION: 122

Which statements are true regarding a VXLAN implementation on Aruba Switches? (Select two)

- A. MTU size must be increased beyond the default.
- B. VTEPs encapsulate and decapsulate VXLAN traffic.
- C. They are only available for datacenter switches (CX 8k, 9k,10k).
- D. VNIs encapsulate and decapsulate VXLAN traffic.
- E. All Aruba CX switches support VXLAN.

QUESTION: 123

You need to drop excessive broadcast traffic on an ingress port of an ArubaOS-CX switch

What is the best feature to use for this task?

- A. DWRR queuing
- B. Strict queuing
- C. Rate limiting
- D. QoS shaping

QUESTION: 124

A network engineer is asked to set up a packet capture to mirror all traffic of the Server VLAN 100 to a local port on a Aruba CX 6300M switch

What are the correct steps?

- A.

```
span session 1
destination interface 1/1/1
source vlan 100 tx
enable
```

B.

```
mirror session 1
destination interface 1/1/1
source vlan 100 all
enable
```

C.

```
span session 1
destination interface 1/1/1
source vlan 100 both
enable
```

D.

```
mirror session 1
destination interface 1/1/1
source vlan 100 both
enable
```

ANSWER: D

QUESTION: 125

Match the topics with the underlying technologies. (Options may be used more than once or not at all.)

EVPN-VXLAN

User Based Tunneling (UBT)

Answer Area

Centralized Overlay

Distributed Overlay

Encapsulated in UDP

Generic Routing Encapsulation (GRE)

ANSWER

EVPN-VXLAN

User Based Tunneling (UBT)

Answer Area

User Based Tunneling (UBT)

Centralized Overlay

EVPN-VXLAN

Distributed Overlay

EVPN-VXLAN

Encapsulated in UDP

User Based Tunneling (UBT)

Generic Routing Encapsulation (GRE)

QUESTION: 126

You are implementing ClearPass Policy Manager with EAP-TLS for authenticating all corporate-owned devices

What are two possible solutions to the problem of deploying client certificates to corporate MacBooks that are joined to a Windows domain? (Select two.)

- A. ClearPass OnBoard
- B. Mobile Device Manager
- C. Apple Configurator and a GPO
- D. Windows Server PKI and a GPO
- E. ClearPass OnGuard

QUESTION: 127

You are deploying Aruba CX 6300's with the customer's requirement to only allow one (1) VoIP phone and one (1) device

The following local role gets assigned to the phone.

port-access role VoIP

device-traffic-class voice

What set of commands best fits this requirement?

- A.

```
interface 1/1/1
aaa authentication port-access client-limit 2
aaa authentication port-access auth-mode client-mode
```
- B.

```
interface 1/1/1
aaa authentication port-access client-limit 1
aaa authentication port-access auth-mode device-mode
```
- C.

```
interface 1/1/1
aaa authentication port-access auth-mode multi-domain
```
- D.

```
interface 1/1/1
aaa authentication port-access client-limit multi-domain 2
aaa authentication port-access auth-mode multi-domain
```

ANSWER: A

QUESTION: 128

What must be true for QoS to be effective?

- A. All WLAN connections have WMM.
- B. Enabled end-to-end throughout the campus network.
- C. Switch-to-switch connections are enabled for QoS.
- D. Enabled on all switch-to-switch links: WLAN connections do not matter.

QUESTION: 129

Match the topics of an AOS10 Tunneled mode setup between an AP and a Gateway.
(Options may be used more than once or not at all.)

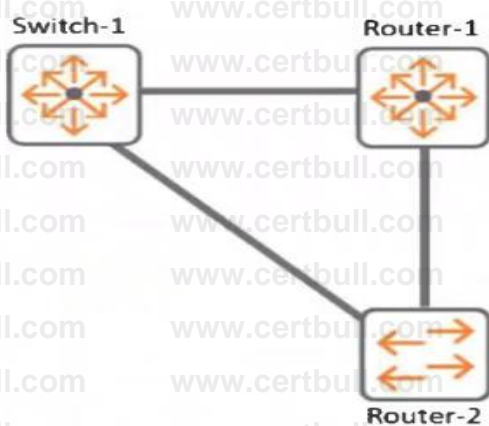
	Answer Area	
Authenticator		Access Point
Negotiate IPsec Phase1		Access Point and Gateway
Negotiate IPsec Phase 2		Device Designated Gateway
RADIUS proxy		Overlay Tunnel Orchestrator

ANSWER

	Answer Area	
Authenticator		Access Point
Negotiate IPsec Phase1		
Negotiate IPsec Phase 2		Access Point and Gateway
RADIUS proxy		Device Designated Gateway
		Overlay Tunnel Orchestrator

QUESTION: 130

Refer to the exhibit



An Aruba 6300M (Switch-1) is connected to Router-1 using 1/1/1 and to Router-2 using 1/1/2 with the following configuration:

```

Switch-1:
- int 1/1/1 ip address 10.10.10.1/30
- int 1/1/2 ip address 10.10.20.1/30

Router-1
- int 1/1/1 ip address 10.10.10.2/30
- vlan int 100 ip address 10.10.100.2/24

Router-2
- int 1/1/1 ip address 10.10.20.2/30
- vlan int 100 ip address 10.10.100.3/24

```

How would you create a redundant route for 10.10.100.0/24 from Switch-1 with automatic failover capabilities?

- A. Create static route with bfd on switch-1
- B. Create static route with distance 1000 and 2000
- C. Create eBGP peering with route-reflectors
- D. Create OSPF routing between the devices**

QUESTION: 131

Your Aruba CX 6300 VSF stack has OSPF adjacency over SV110 with LAG 1 to a neighboring device. The following configuration was created on the switch:

```

vlan 20,30,40
!
interface vlan 20
ip address 10.10.20.1/24
!
interface vlan 30
ip address 10.10.30.1/24
!
interface vlan 40
ip address 10.10.40.1/24

```

What needs to be done to advertise the newly created networks using OSPF without forming new adjacencies?

- A.

```
router ospf 1
  passive-interface default
interface vlan 10
  no ip ospf passive
```
- B.

```
router ospf 1
  area 0
  redistribute local
```
- C.

```
router ospf 1
  area 0
  redistribute connected
```**

```
router ospf 1
 area 0
 passive-interface
  vlan 20,30,40
```

D.

ANSWER: C

QUESTION: 132

A company is planning to implement wired authentication on all its CX switches

The requirements for the implementation are the following

- Support 802.1X and MAC authentication
- Prioritize 802.1X over MAC authentication
- ClearPass server 10.1.1.1 needs to be the primary RADIUS server

Which configuration meets the requirements?

```
radius-server host 10.1.1.2 key plaintext aruba123
radius-server host 10.1.1.1 key plaintext aruba123
radius-server dyn-authorization enable
|
aaa group server radius RADIUS-GROUP
 server 10.1.1.1
 server 10.1.1.2
|
aaa authentication port-access dot1x authenticator radius server-group RADIUS-GROUP
aaa authentication port-access dot1x authenticator auth-method eap-radius
aaa authentication port-access dot1x authenticator enable
aaa authentication port-access mac-auth auth-method pap
aaa authentication port-access mac-auth radius server-group RADIUS-GROUP
aaa authentication port-access mac-auth radius enable
|
interface 1/1/1-1/1/24
aaa authentication port-access dot1x authenticator
enable
aaa authentication port-access mac-auth enable
aaa authentication port-access auth-precedence dot1x mac-auth
aaa authentication port-access auth-mode client-mode aaa authentication port-access client-limit 5
```

A.

```
radius-server host 10.1.1.1 key plaintext aruba123
radius-server host 10.1.1.2 key plaintext aruba123
radius-server dyn-authorization enable
|
aaa group server radius RADIUS-GROUP
 server 10.1.1.2
 server 10.1.1.1
|
aaa authentication port-access dot1x authenticator auth-method eap-radius
aaa authentication port-access dot1x authenticator enable
aaa authentication port-access mac-auth auth-method pap
aaa authentication port-access mac-auth radius server-group RADIUS-GROUP
aaa authentication port-access mac-auth radius enable
```

B.

```

radius-server host 10.1.1.1 key plaintext aruba123
radius-server host 10.1.1.2 key plaintext aruba123
radius-server dyn-authorization enable
!
aaa group server radius RADIUS-GROUP
 server 10.1.1.1
 server 10.1.1.2
!
aaa authentication port-access dot1x authenticator radius server-group RADIUS-GROUP
aaa authentication port-access dot1x authenticator auth-method eap-radius
aaa authentication port-access mac-auth radius server-group RADIUS-GROUP
aaa authentication port-access mac-auth auth-method pap
aaa authentication port-access mac-auth radius disable
!
interface 1/1/1-1/1/24
aaa authentication port-access dot1x authenticator
enable
aaa authentication port-access mac-auth
enable
aaa authentication port-access auth-precedence mac-auth dot1x
aaa authentication port-access auth-mode client-mode
aaa authentication port-access client-limit 5

```

C.

```

radius-server host 10.1.1.1 key plaintext aruba123
radius-server host 10.1.1.2 key plaintext aruba123
radius-server dyn-authorization enable
!
aaa group server radius RADIUS-GROUP
 server 10.1.1.1
 server 10.1.1.2
!
aaa authentication port-access dot1x authenticator radius server-group RADIUS-GROUP
aaa authentication port-access dot1x authenticator auth-method eap-radius
aaa authentication port-access dot1x authenticator enable
aaa authentication port-access mac-auth auth-method pap
aaa authentication port-access mac-auth radius enable
!
interface 1/1/1-1/1/24
aaa authentication port-access dot1x authenticator
enable
aaa authentication port-access auth-mode client-mode
aaa authentication port-access client-limit 5

```

D.

ANSWER: A

QUESTION: 133

You have been asked to provide network connectivity for a guard shack that is located approximately 1000 ft (305 M) from the nearest IDF. Single mode fiber is in place between the nearest IDF and the guard shack. Wi-Fi will be required and a single PoE security camera will also need a wired connection. The guard shack is open to the weather and no additional network requirements are anticipated in the future. AC Power is available.

Which presents the simplest, lowest cost solution?

- A. Aruba AP-585 with LX transceiver
- B. Aruba 4100i switch, LX transceiver and AP-615
- C. Aruba AP-585 with SX transceiver
- D. Aruba 4100i switch, SX transceiver, and AP-615

QUESTION: 134

A network administrator is investigating issues when wired guest users are connecting and authenticating to the network. The access switches are Aruba 6300 CX switches. The administrator needs to diagnose which role the guest user has been assigned.

Which command should the administrator use to meet this need?

- A. show port-access client's detail
- B. show port-access captive-portal-profile name guest
- C. show port-access role name guest
- D. diagnostics
diag-dump captive-portal basic

QUESTION: 135

Examine the following configuration on an Aruba 6400 CX switch:

```
object-group Ip address servers
```

```
1010.1.0.10
```

```
20 10.1.2.10
```

Which access control entries would allow web traffic to web servers 101.0.10 and 10.1.2.10?

- A. permit tcp servers any eq http
- B. permit tcp any 10.1.0.10/0.0.3.0 eq http
- C. permit tcp any 10.1.0.10/255.255.0.255 eq http
- D. permit tcp any 10.1.0.10/255.255.254.255 eq http

QUESTION: 136

A company recently upgraded its campus switching infrastructure with Aruba 6300 CX switches. They have implemented 802.1X authentication on edge ports where laptop and IoT devices typically connect. An administrator has noticed that for PoE devices, the ports are delivering the maximum wattage instead of what the device actually needs. Upon connecting the IoT devices, the devices request their specific required wattage through information exchange.

Concerned about this waste of electricity, what should the administrator implement to solve this problem?

- A. Globally enable the QoS trust setting for LLDP and/or CDP.
- B. Implement a classifier policy with the correct power definitions.
- C. Enable AAA authentication to exempt LLDP and/or CDP information.
- D. Create device profiles with the correct power definitions.

QUESTION: 137

For an Aruba AOS10 AP in mixed mode, which factors can be used to determine the forwarding role assigned to a client? (Select two)

- A. Client MAC address
- B. 802.1X authentication result
- C. Client VLAN
- D. Client SSID
- E. Client IP address

QUESTION: 138

Match each PoE power class to its corresponding 802.3 standard. (Options may be used more than once or not at all)

ANSWER

QUESTION: 139

What does the 802.3bz standard describe?

- A. 60 GHz P2P Wi-Fi
- B. 60W and 90W PoE
- C. 2.5Gb and 5Gb Ethernet ports
- D. AP directed roaming between APs

QUESTION: 140

List the firewall role derivation flow in the correct order.

| Firewall Role | Order |
|-----------------------------|-------|
| Initial role assigned | |
| User derived role | |
| Authentication default role | |
| Server derived role | |

Navigation icons: left arrow, right arrow, up arrow, down arrow.

ANSWER

| Firewall Role | Order |
|-----------------------------|-------|
| Initial role assigned | 1 |
| User derived role | 2 |
| Authentication default role | 3 |
| Server derived role | 4 |

Navigation icons: left arrow, right arrow, up arrow, down arrow.

QUESTION: 141

When configuring UBT on a switch what will happen when a gateway role is not specified?

- A. The switch will assign the default deny role to the client.
- B. The gateway will send back the deny role to the client.
- C. The gateway will assign a default role to the client.
- D. The switch will put the client on the access VLAN.

QUESTION: 142

Match the appropriate Aruba CX switch model to each use case below (Options may be used more than once or not at all.)



ANSWER



QUESTION: 143

Your customer has added EVPN-VXLAN functionality to their data center During implementation the data center lost all OSPF neighbour's adjacencies What could have caused this issue?

- A. The OSPF neighbors do not support EVPN-VXLAN.**
- B. EVPN contains an outer header that is incompatible with the OSPF neighbors.
- C. VNIs configured on the underlay were misconfigured to the external VRF.
- D. Jumbo frames were implemented on links connected to OSPF neighbors.

QUESTION: 144

Your customer has four (4) Aruba 7200 Series Gateways and two (2) 7000 Series Gateways The customer wants to form a cluster with these Gateways.

What design consideration would prevent you from using all of those Gateways?

- A. A heterogeneous cluster is not supported in AOS 10.x.
- B. A combination of 7200 series and 7000 series gateways supports up to 4 nodes.**
- C. Multiple versions between Gateways in the same cluster profile are not allowed AOS 10 x.

D. The AP load should be lowest value of worst-case scenario load.

QUESTION: 145

Match the appropriate QoS concept with its definition. (Options may be used more than once or not at all.)

| | | Answer Area | |
|-------------------------|------------------|----------------------|--|
| Best Effort Service | Class of Service | <input type="text"/> | A method for classifying network traffic at layer-2 by marking 802.1Q VLAN Ethernet frames with one of eight service classes |
| Differentiated Services | WMM | <input type="text"/> | A method for classifying network traffic at layer-3 by marking packets with one of 64 different service classes |
| | | <input type="text"/> | A method where traffic is treated equally in a first-come, first-served manner |
| | | <input type="text"/> | A method for classifying network traffic using access categories based on the IEEE 802.11e QoS standard |

ANSWER

| | | Answer Area | |
|-------------------------|------------------|-------------------------|--|
| Best Effort Service | Class of Service | Class of Service | A method for classifying network traffic at layer-2 by marking 802.1Q VLAN Ethernet frames with one of eight service classes |
| Differentiated Services | WMM | Differentiated Services | A method for classifying network traffic at layer-3 by marking packets with one of 64 different service classes |
| | | Best Effort Service | A method where traffic is treated equally in a first-come, first-served manner |
| | | WMM | A method for classifying network traffic using access categories based on the IEEE 802.11e QoS standard |

QUESTION: 146

Your customer has an Aruba CX 6200F VSF stack with two switches A third member (JL726A) needs to be added to the VSF configuration.

What is the configuration that enables the new devices to join the VSF?

- A. `On the new switch issue:`
`vsf member 3`
`type jl726a`
- B. `On the existing VSF issue:`
`vsf member 3`
`stack join`
`type jl726a`

C.

```
On the new switch issue:
vsf member 1
 link 1 1/1/50
 link 2 1/1/49
vsf renumber-to 3
```

D.

```
On the new switch issue:
vsf member 1
 type j1726a
 link 1 3/1/50
 link 2 3/1/49
```

ANSWER: A

QUESTION: 147

A client is connecting to 802.1X SSID that has been configured in tunnel mode with the default AP-group settings

After receiving Access-Accept from the RADIUS server, the Aruba Gateway will send Access-Accept to the AP through which tunnel?

- A. IPsec tunnel
- B. Split tunnel
- C. PAPI tunnel**
- D. GRE tunnel

QUESTION: 148

A customer has a site with 200 AP-515 access points 75 AP-565 access points installed. The customer is rolling out new mobile phones with Wi-Fi-calling. 802.1X is in use for authentication.

What should be enabled to ensure the best roaming experience?

- A. 802.11r**
- B. 802.11h
- C. 802.11w
- D. 802.1X

QUESTION: 149

When setting up an Aruba CX VSX pair, which information does the Inter-Switch Link Protocol synchronize in the configuration created?

- A. RPVST+
- B. SVI
- C. MAC tables**
- D. UDLD

QUESTION: 150

You need to have different routing-table requirements with Aruba CX 6300 VSF configuration.

Assuming the correct layer-2 VLAN already exists, how would you create a new SVI for a separate routing table?

- A. Create a new VLAN, and attach the VRF to it.
- B. Create a new VRF, and add new SVIs under the configuration.
- C. Create a new VLAN, and attach the routing table to it.
- D. Create a new interface VLAN and attach vrf custom-vrf.

QUESTION: 151

A customer needs to establish an eBGP peering with an ISP router from an Aruba CX 8325 switch. The customer has created the following configuration:

```
switch(config)# interface loopback 0
switch(config-loopback-if)# ip address 10.255.255.1/32
switch(config-loopback-if)# exit
switch(config)# interface 1/1/1
switch(config-if)# no shutdown
switch(config-if)# routing
switch(config-if)# ip address 172.16.1.0/31
switch(config-if)# exit
switch(config)# router bgp 65500
switch(config-bgp)# neighbor 172.16.1.1 remote-as 64999
switch(config-bgp)# bgp router-id 172.16.1.0
switch(config-bgp)# address-family ipv4 unicast
switch(config-bgp-ipv4-uc)# exit
```

With the switch cli output of "show bgp all summary", the state does not display "Established" for the eBGP peer.

What must you change, to get an Established state with the peering?

- A.

```
router bgp 65500
address-family ipv4 unicast
neighbor 172.16.1.1 activate
```
- B.

```
change interface 1/1/1 ip address to 172.16.1.2
```
- C.

```
router bgp 65500
neighbor 172.16.1.1 update-source loopback0
```
- D.

```
router bgp 65500
bgp router-id 10.255.255.1
```

ANSWER: A

QUESTION: 152

Which statement is correct for the Aruba Network Analytics Engine (NAE) in a VSX environment?

- A. NAE is VSX aware and the python-based agents on each member device store sensor values remotely.
- B. NAE is VSX aware and the ruby-based agents on each member device store sensor values remotely.
- C. Each local agent in the VSX pair connects to a replicated database to centrally store sensor values locally.
- D. NAE is not VSX aware and the python-based agents on each member device store sensor values locally.
- E. NAE is VSX aware and the agents store sensor values in a central Firebase Realtime Database.
- F. NAE is not VSX aware and the agents store sensor values in a local Firebase Realtime Database.
- G. Each switch in the VSX pair maintains its own independent NAE agent and stores sensor values locally.**
- H. NAE is not VSX aware and the ruby-based agents on each member device store sensor values locally.
- I. Each agent in the VSX pair connects to the other member's replicated database to detect discrepancies.

QUESTION: 153

Your Director of Security asks you to assign AOS-CX switch management roles to new employees based on their specific job requirements. After the configuration was complete, it was noted that a user assigned with the operator's role did not have the appropriate level of access on the switch.

The user was not limited to a specific CLI context and a privilege level of 19 was not assigned to their role. Which default management role should have been assigned for the user?

- A. administrators
- B. guests
- C. sysadmin
- D. auditors**

QUESTION: 154

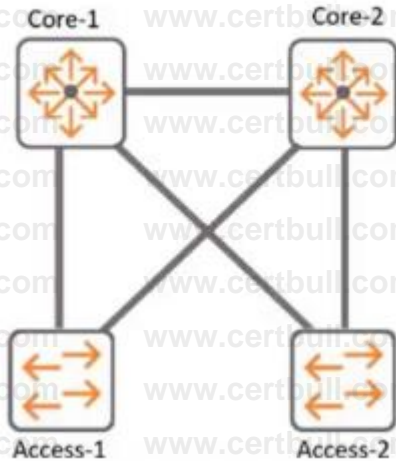
Your customer has asked you to assign a switch management role for a new user. The customer requires the user role to only have Web UI access to the System > Log page and only have access to the GET method for REST API for the /logs/event resource.

Which default AOS-CX user role meets these requirements?

- A. operators
- B. auditors
- C. sysops
- D. administrators**

QUESTION: 155

Refer to the exhibit.



With Core-1 configuration of spanning-tree instance 1 priority 0, what needs to be configured to enable root for vlan 10 while vlan 20 remains root on Core-2?

- A. Spanning-tree priority 0 vlan 10
- B. Spanning-tree instance 1 vlan 10
- C. Spanning-tree priority root vlan 10**
- D. Spanning-tree vlan 10